

## CAST STEEL PIPELINE T STRAINERS IS40T 1" to 4" (ANSI)

**DESCRIPTION**

The IS40T cast steel T strainers are applicable to all types of steam, water, oil and air systems. Their purpose is to protect steam traps, regulating valves, pressure reducing valves, piping, etc. from dirt which are often times the cause of damage and consequently energy loss of fluid systems. Connections are flanged.

**OPTIONS:** Different screen aperture sizes.  
Drain plug or drain valve in strainer cap.

**USE:** Saturated steam, water, oil, air and other compatible fluids.

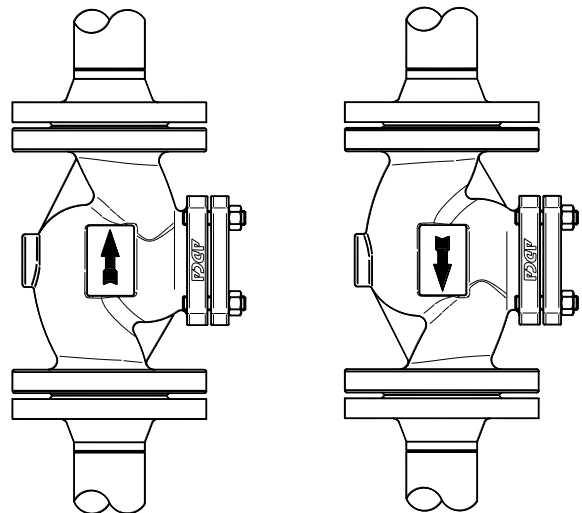
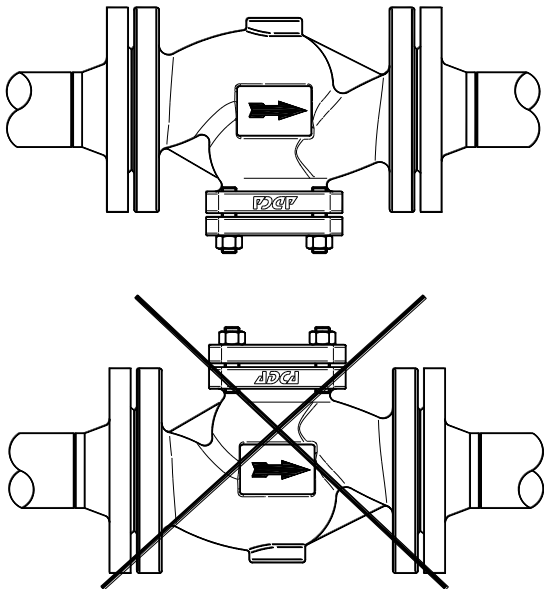
**AVAILABLE MODELS:** IS40TS – Carbon steel.  
IS40TI – Stainless steel.

**SIZES:** 1" to 4".

**SCREENS:** 0,5 mm aperture – up to 1";  
1,5 mm aperture – from 1 1/2" to 3";  
2 mm aperture – 4".

**CONNECTIONS:** Flanged ANSI B16.5 150 lb and 300 lb.

**INSTALLATION:** Horizontal or vertical installation.

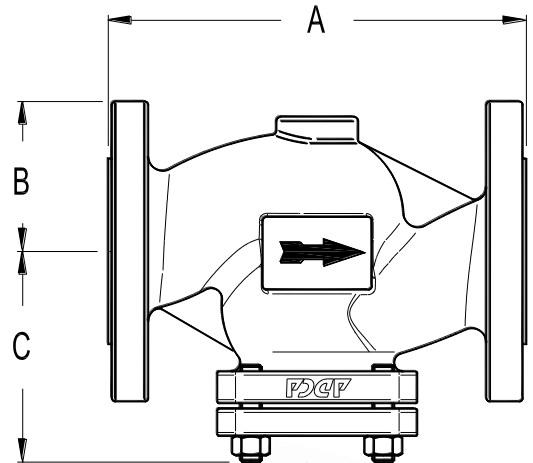


CE MARKING – GROUP 2 (PED – European Directive)		
ANSI 150 lb	ANSI 300 lb	Category
1" to 2"	1"	SEP
3" to 4"	1 1/2" to 4"	1 (CE marked)

BODY LIMITING CONDITIONS							
IS40TS – ANSI 150 lb		IS40TS – ANSI 300 lb		IS40TI – ANSI 150 lb		IS40TI – ANSI 300 lb	
ALLOW. PRESS.	RELATED TEMP.	ALLOW. PRESS.	RELATED TEMP.	ALLOW. PRESS.	RELATED TEMP.	ALLOW. PRESS.	RELATED TEMP.
19,3 bar	- 10 °C / 50 °C	50 bar	- 10 °C / 50 °C	18,4 bar	- 10 °C / 50 °C	48,1 bar	- 10 °C / 50 °C
15,8 bar	150 °C	43,9 bar	200 °C	14,8 bar	150 °C	35,8 bar	200 °C
12,1 bar	250 °C	36,9 bar	350 °C	12 bar	250 °C	30,4 bar	350 °C
8,4 bar	350 °C	34,6 bar	400 °C	8,4 bar	350 °C	29,3 bar	400 °C

DIMENSIONS (mm)						
SIZE	A	B ANSI 150 lb	B ANSI 300 lb	C	G *	WGT. (kg)
1"	197	54	62	80	1/2"	5,3
1 1/2"	235	63,5	78	105	1/2"	9,6
2"	267	76	82,5	115	1/2"	14
3"	317	95	105	155	1/2"	27,9
4"	368	114,5	127	165	1/2"	34,6

\* Others on request.



MATERIALS			
POS. Nº	DESIGNATION	MATERIAL IS40TS	MATERIAL IS40TI
1	Body	ASTM A216WCB / 1.0619 ; GP240GH / 1.0619	CF8M / 1.4408
2	Centering ring	AISI 304 / 1.4301	AISI 304 / 1.4301
3	Cover	AISI 304 / 1.4301	AISI 304 / 1.4301
4	* Gasket	Stainless steel / Graphite	Stainless steel / Graphite
5	* Screen	AISI 304 / 1.4301	AISI 304 / 1.4301
6	Studs	Steel	A2-70
7	Nuts	Steel	A2-70

\* Available spare parts.

